

BASIC INFORMATION

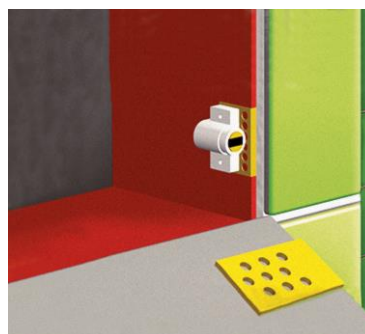
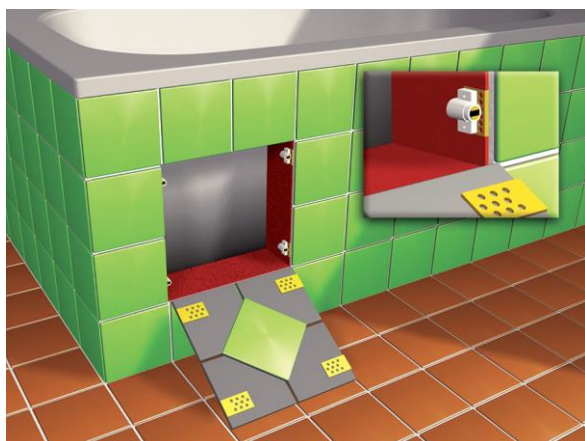
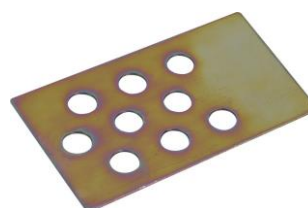
1. Height-adjustable magnets under tiles to cover inspection openings, e.g. in bathtubs.
2. Strong magnetic effect.
3. Anti-corrosion treatment.
4. Easy to assemble with the possibility of additional height adjustment.
5. Permanent possibility of opening with a suction cup.
6. The package contains 4 magnets.
7. Magnetic holding force 2.5 - 3kg
8. Suitable for smaller inspection openings - up to 900cm²

Product Application

Magnets under tiles serve as an assembly aid for assembling the doors of the inspection opening using ceramic tiles. Doors assembled with magnets under the tiles are not intended for separating fire sections or escape routes.

Materials

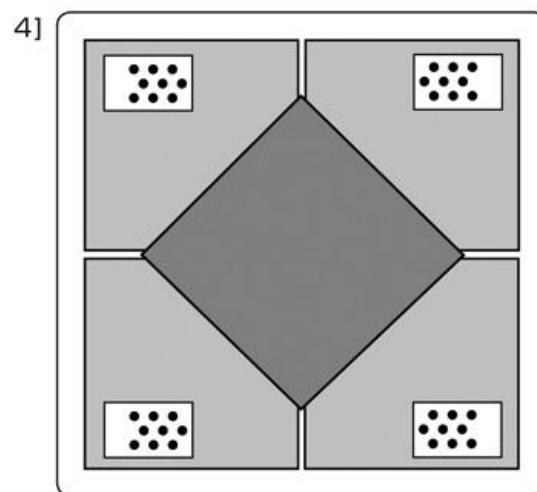
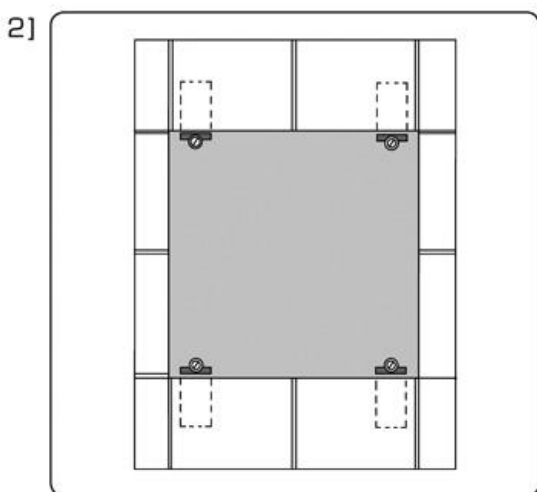
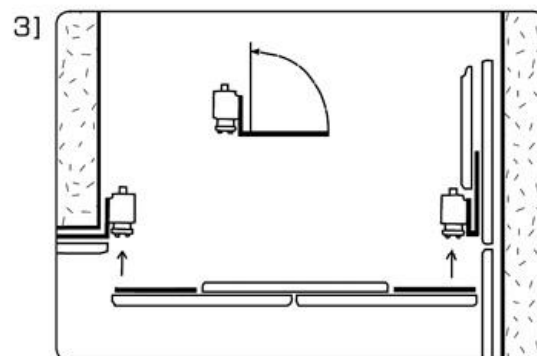
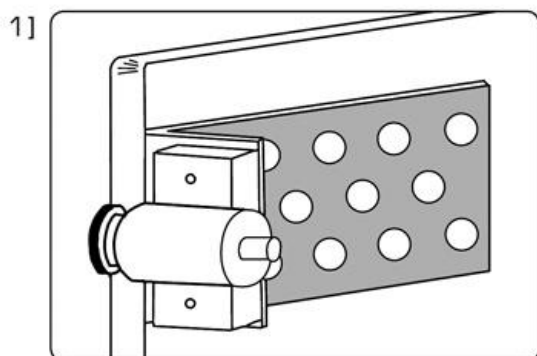
- Steel - galvanized sheet ČSN EN ISO 2081
- Plastic - Polypropylene
- Magnets - ferrite magnet anisotropic (height adjustable)



označení typu type	obj. číslo ordering code	ks/kart. pcs/box
MPO UNI 01	0131	60

INSTALLATION

1. Glue the anchoring sheet with the magnet to the edge of the tile from the reverse side.
2. Glue the tile to the designated place and align the anchor sheet with the magnet.
3. If the inspection hole ends at the longitudinal wall, bend the anchoring sheet with the magnet in place perforation by 90° and glue it to the lining of the longitudinal wall.
4. We assemble the cover of the inspection hole from several tiles. Glue the four anchoring sheets carefully to the reverse side of the tiles.
5. After the glue hardens, we can place the cover of the inspection hole.



For more information, contact www.haco.cz.

Odp - zpracoval:	Ladislav Chloupek	Spr - schválil:	Jan Hájek	Datum:	
Podpis:		Podpis:		Strana / Počet stran:	2/2