

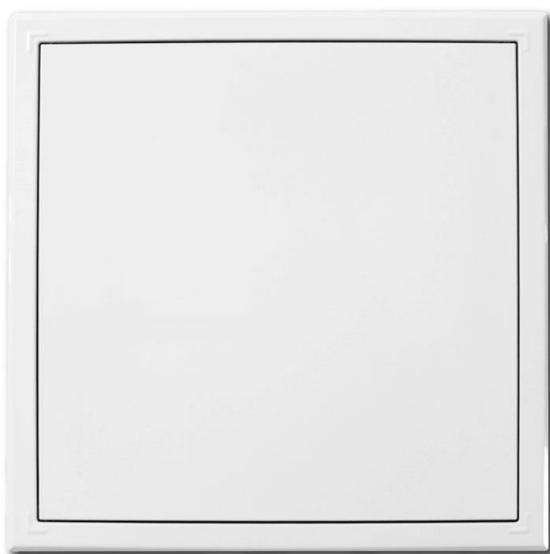
BASIC INFORMATION

Metal inspection door with push lock:

- can be used as an opening cover for various building openings, penetrations and shafts,
- have an eccentrically placed hinge that allows the door to be opened as much as possible,
- are made of galvanized steel sheet 0.8 mm thick painted with white powder paint RAL 9003,
- are more suitable for interiors,
- They are available in three sizes (150x150, 200x200, 300x300 mm).

Installation:

The door frame is equipped with perforated mounting strips, behind which it is possible to install them into the building opening using screws, sealants, plaster, etc.



FEATURES & BENEFITS

- minimalist design,
- high-quality workmanship guaranteeing a long service life,
- Intuitive opening and closing by simply pushing the door leaf
- simple installation and easy maintenance,
- The design of the door does not disturb the surrounding design.

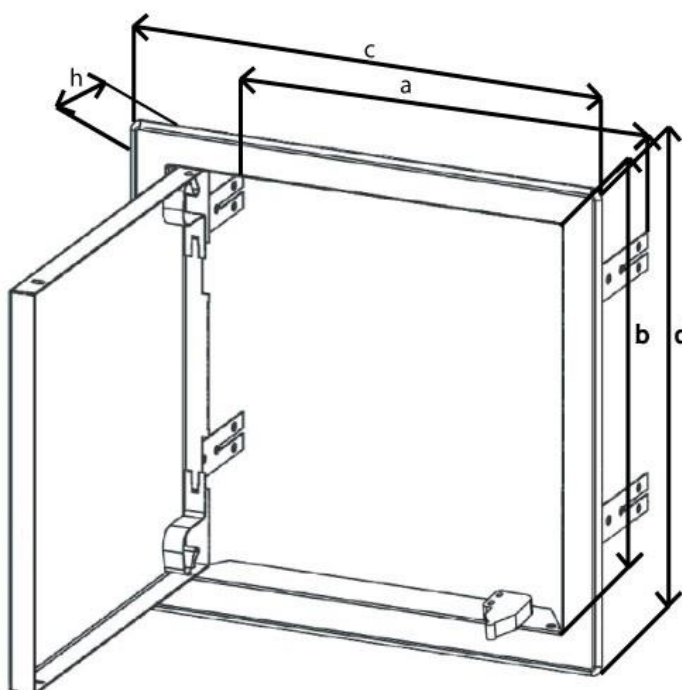
Odp - zpracoval:	Ladislav Chloupek	Spr - schválil:	Jan Hájek	Datum:	
Podpis:		Podpis:		Strana / Počet stran:	1/2

TECHNICAL SHEET METAL INSPECTION DOOR WITH PUSH LOCK



R-060622-OZ/VO-[V]-A0

DIMENSIONS

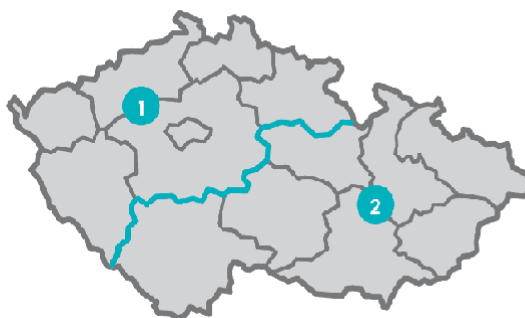


označení typu type	obj. číslo ordering code	rozměry dimensions [mm]						ks/kart. pcs/box	
		bílá / white	a	b	c	d	e		h
RDK 300×300 TZ	0158		300,3	300,3	334,5	334,5	80	27	15
RDK 200×200 TZ	0159		200,3	200,3	234,5	234,5	80	27	14
RDK 150×150 TZ	0160		150,3	150,3	184,5	184,5	80	27	24

For more information, please [contact www.haco.cz](http://www.haco.cz) or our sales representatives:

1 Zuzana Matuchová
tel.: +420 606 837 411
e-mail: zuzana.matuchova@haco.cz

2 Ladislav Chloupek
tel.: +420 739 464 938
e-mail: ladislav.chloupek@haco.cz



Odp - zpracoval:	Ladislav Chloupek	Spr - schválil:	Jan Hájek	Datum:	
Podpis:		Podpis:		Strana / Počet stran:	2/2